

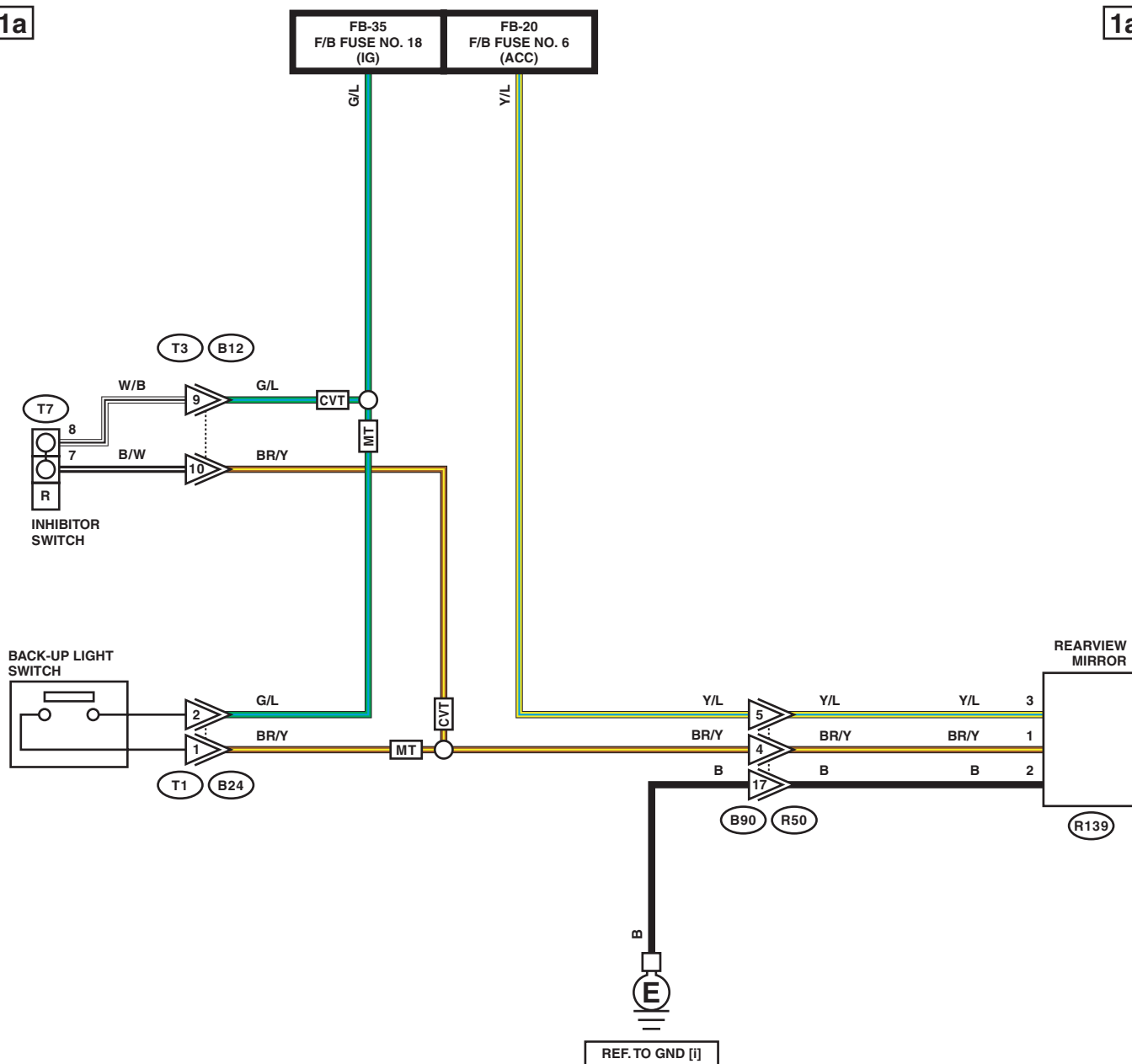
44.Rearview Mirror System

A: WIRING DIAGRAM

1. ENGINE TYPE FA

1a

1a



WI-44545

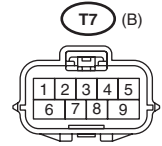
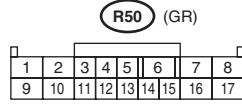
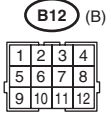
Rearview Mirror System

WIRING SYSTEM

1b

1b

LIST OF CONNECTORS



WI-44546

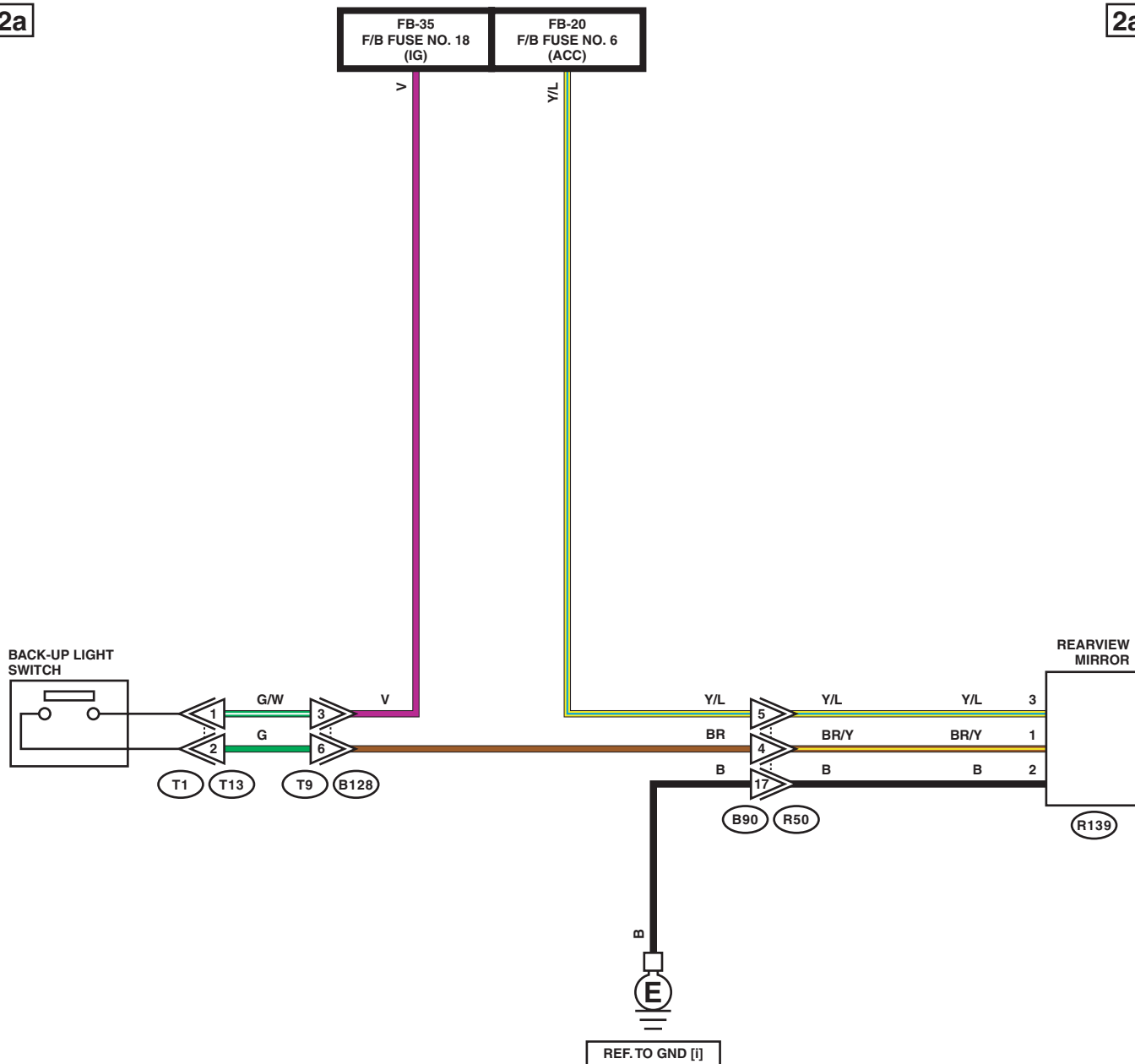
Rearview Mirror System

WIRING SYSTEM

2. ENGINE TYPE EJ

2a

2a



WI-44547

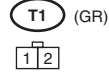
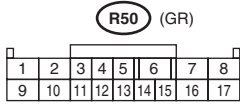
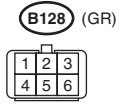
Rearview Mirror System

WIRING SYSTEM

2b

2b

LIST OF CONNECTORS



WI-44548